



DESCRIPTION

PT2272 is a remote control decoder paired with PT2262 utilizing CMOS Technology. It has 12-bit of tri-state address pins providing a maximum of 531,441 (or 312) address codes; thereby, drastically reducing any code collision and unauthorized code scanning possibilities. PT2272 is available in several options to suit every application need: variable number of data output pins, latch or momentary output type.

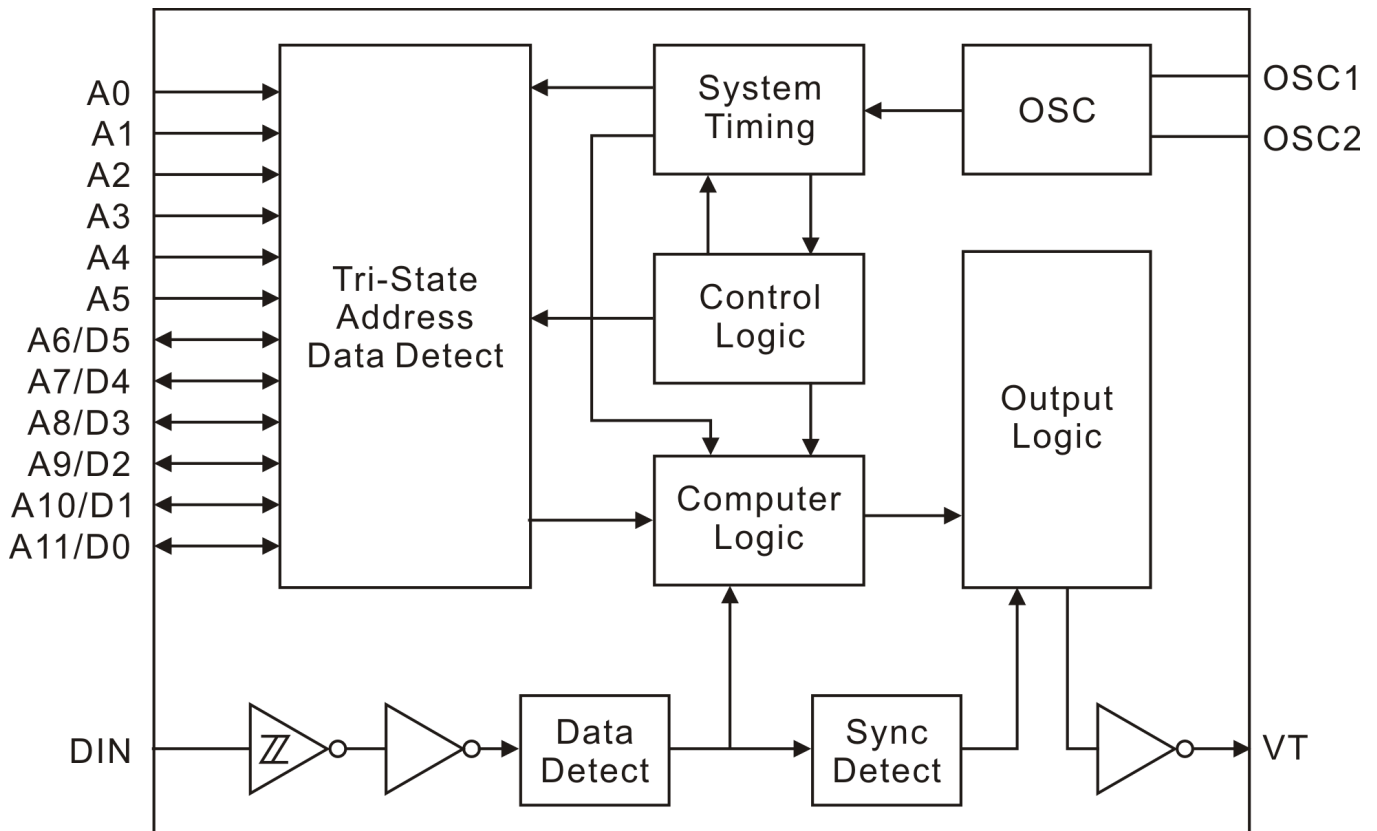
FEATURES

- CMOS Technology
- Low Power Consumption
- Very High Noise Immunity
- Up to 12 Tri-State Code Address Pins
- Up to 6 Data Pins
- Wide Range of Operating Voltage: VCC=4~15V
- Single Resistor Oscillator
- Latch or Momentary Output Type
- Available in DIP and SOP

APPLICATIONS

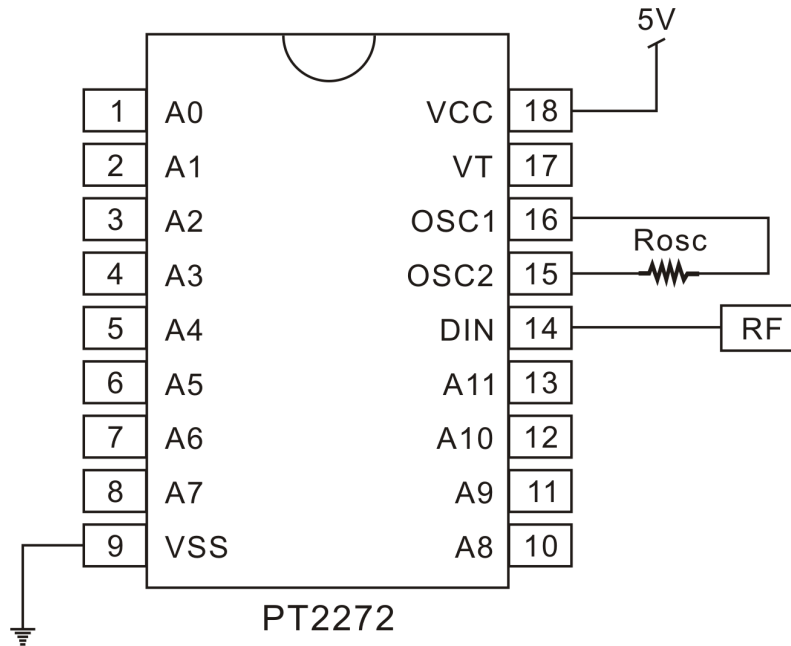
- Car Security System
- Garage Door Controller
- Remote Control Fan
- Home Security/Automation System
- Remote Control Toys
- Remote Control for Industrial Use

BLOCK DIAGRAM

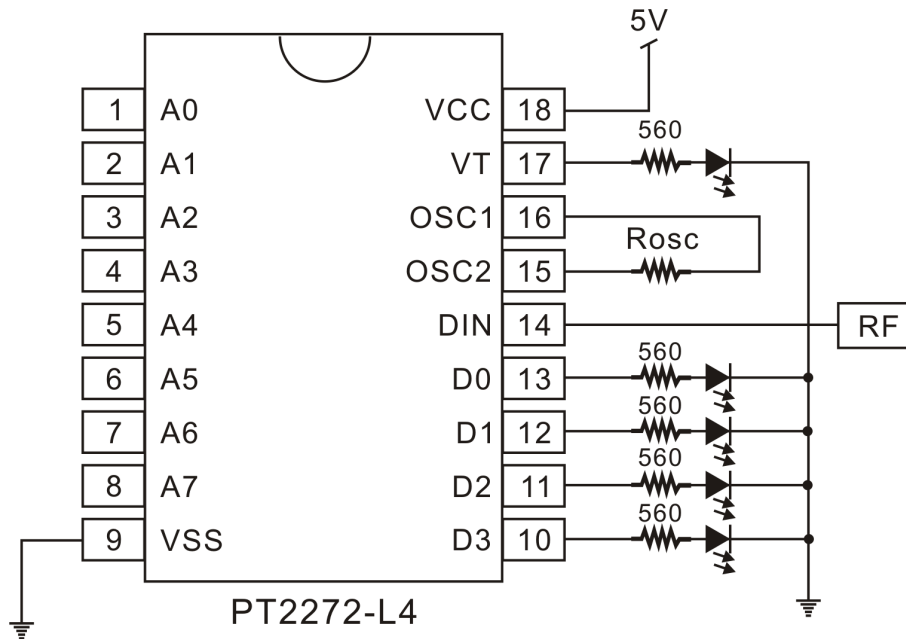


APPLICATION CIRCUIT

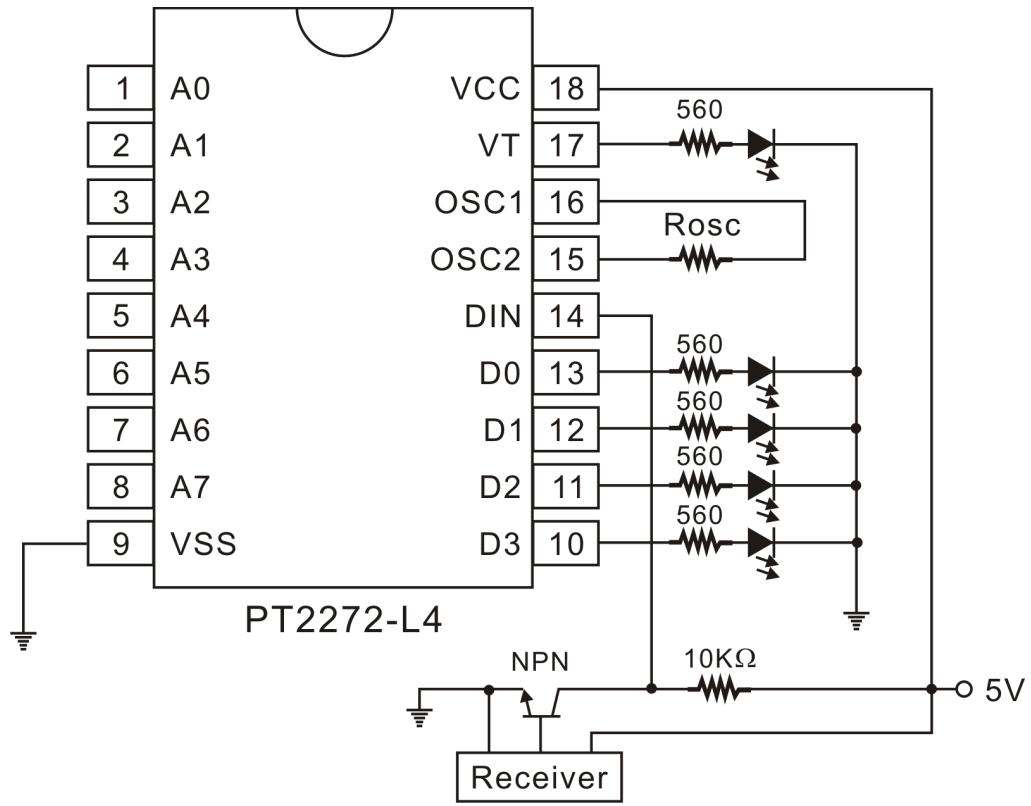
PT2272 (NO DATA) RF APPLICATION



PT2272 (4 DATA) RF APPLICATION CIRCUIT



PT2272 (4 DATA) IR APPLICATION CIRCUIT





ORDER INFORMATION

Valid Part No.	Package Type	Data Bits	Output Type	Top Code
PT2272A-M2-S18	18 PINS, SOP	2	Momentary	PT2272

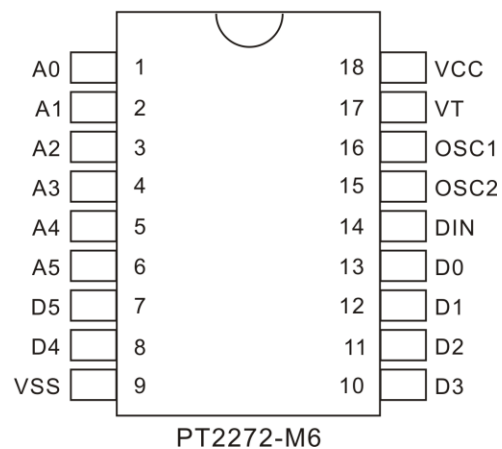
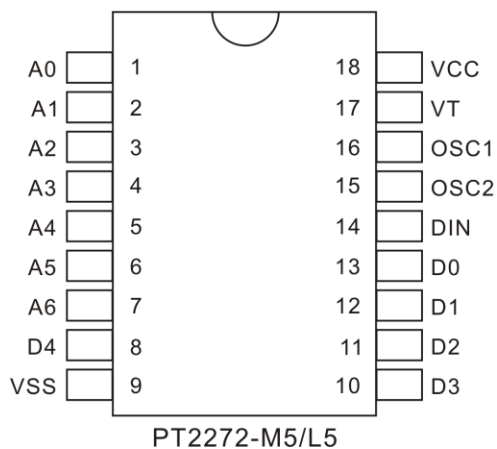
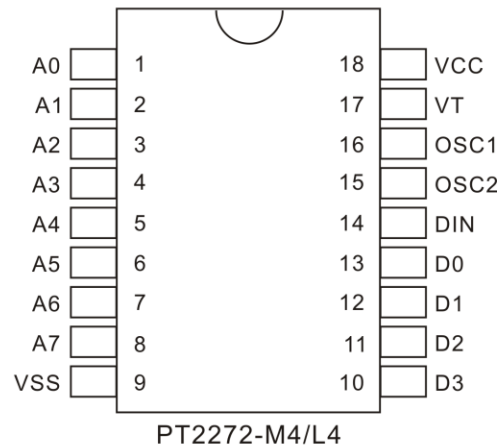
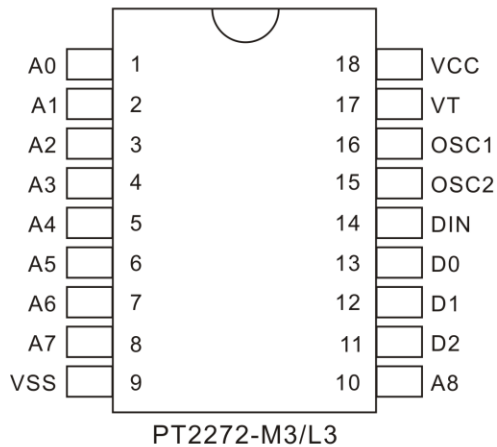
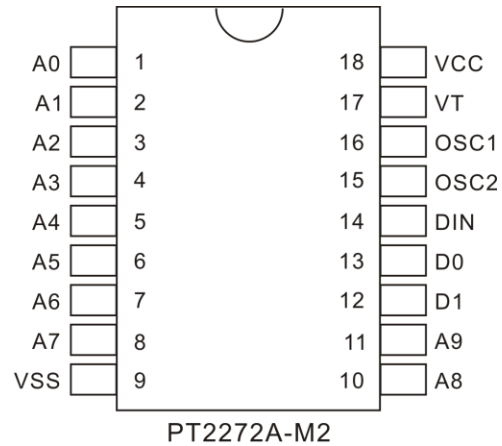
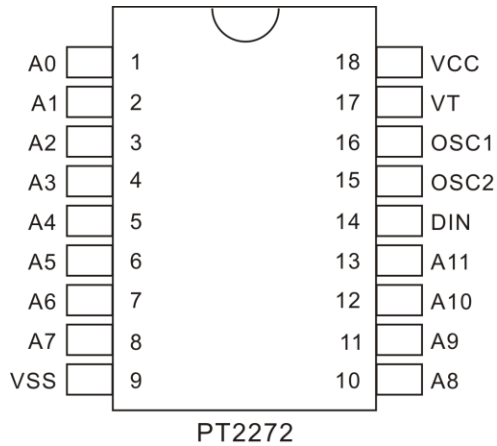
Valid Part No.	Package Type	Data Bits	Output Type	Top Code
PT2272	18 PINS, DIP	-	*	PT2272
PT2272-L3	18 PINS, DIP	3	Latch	PT2272-L3
PT2272-L4	18 PINS, DIP	4	Latch	PT2272-L4
PT2272-L5	18 PINS, DIP	5	Latch	PT2272-L5
PT2272-M2	18 PINS, DIP	2	Momentary	PT2272-M2
PT2272-M3	18 PINS, DIP	3	Momentary	PT2272-M3
PT2272-M4	18 PINS, DIP	4	Momentary	PT2272-M4
PT2272-M5	18 PINS, DIP	5	Momentary	PT2272-M5
PT2272-M6	18 PINS, DIP	6	Momentary	PT2272-M6
PT2272A-M2	18 PINS, DIP	2	Momentary	PT2272A-M2

Valid Part No.	Package Type	Data Bits	Output Type	Top Code
PT2272-S	20 PINS, SOP	-	*	PT2272-S
PT2272-L3S	20 PINS, SOP	3	Latch	PT2272-L3S
PT2272-L4S	20 PINS, SOP	4	Latch	PT2272-L4S
PT2272-L5S	20 PINS, SOP	5	Latch	PT2272-L5S
PT2272-L6S	20 PINS, SOP	6	Latch	PT2272-L6S
PT2272-M2S	20 PINS, SOP	2	Momentary	PT2272-M2S
PT2272-M3S	20 PINS, SOP	3	Momentary	PT2272-M3S
PT2272-M4S	20 PINS, SOP	4	Momentary	PT2272-M4S
PT2272-M5S	20 PINS, SOP	5	Momentary	PT2272-M5S
PT2272-M6S	20 PINS, SOP	6	Momentary	PT2272-M6S
PT2272A-L2S	20 PINS, SOP	2	Latch	PT2272A-L2S
PT2272A-M2S	20 PINS, SOP	2	Momentary	PT2272A-M2S

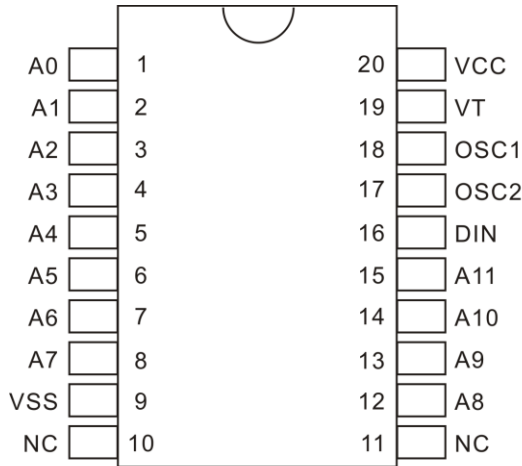
Note: *=use VT (Valid Transmission).

PIN CONFIGURATION

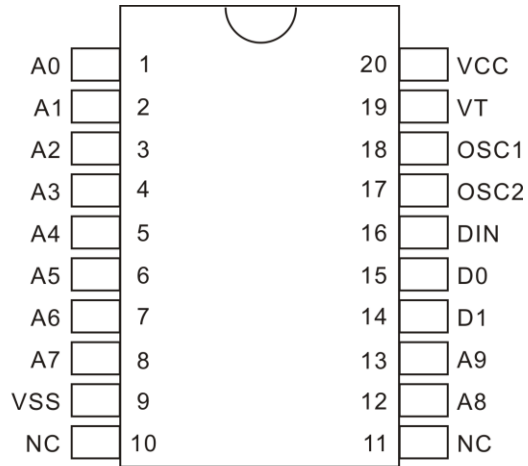
18 PINS



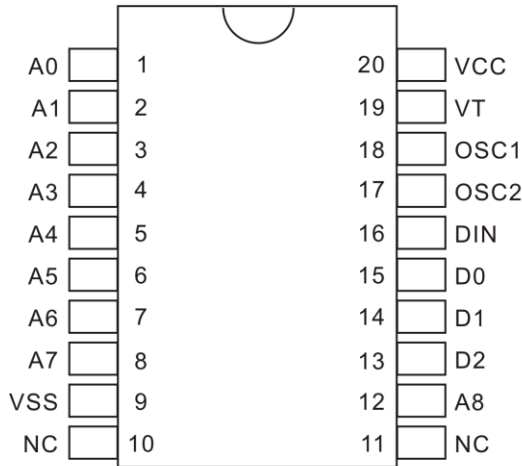
20 PINS



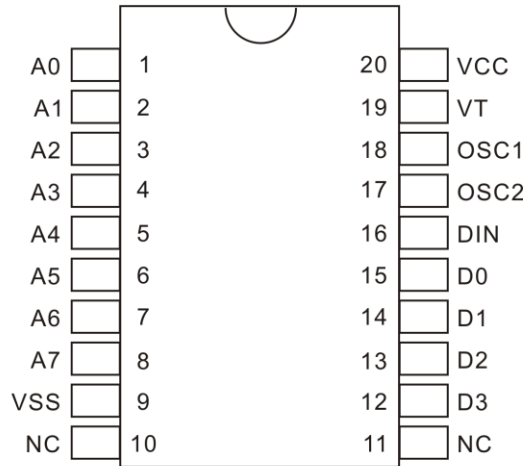
PT2272-S



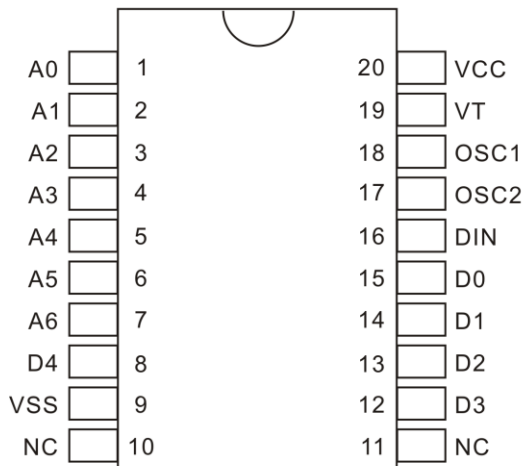
PT2272A-M2S/L2S



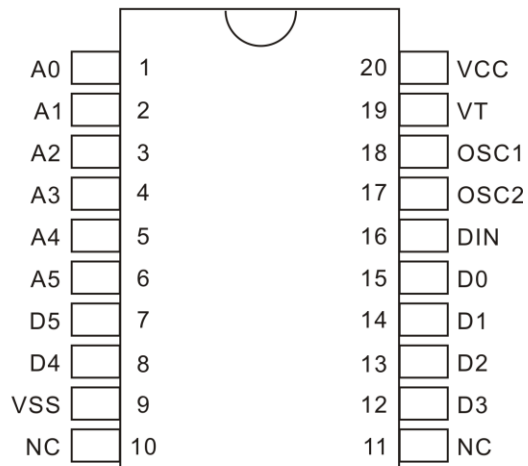
PT2272-M3S/L3S



PT2272-M4S/L4S



PT2272-M5S/L5S



PT2272-M6S/L6S

PIN DESCRIPTION

Pin Name	I/O	Description	Pin No.	
			18 pins	20 pins
A0 ~ A5	I	Code Address Pin Nos.0 ~ 5. These six tri-state pins are detected by PT2272 to determine the encoded waveform bit 0 ~ bit 5. Each pin can be set to "0", "1", or "f" (floating).	1 ~ 6	1 ~ 6
A6/D5 ~ A11/D0	I/O	Code Address Pin Nos.6 ~ 11/Data Pin Nos.5 ~ 0. These six pins are used as higher address input bits or data output pins depending on the version (type) of PT2272 used. When used as address inputs, these pins are tri-state input pins and each pin can be set to "0", "1", or "f" (floating). When used as output pins, these pins are driven to VCC if (1) the address decoded from the waveform that was received matches the address setting at the address input pins, and (2) the corresponding data bits received is a "1" bit. Otherwise, they are driven to VSS.	7 ~ 8 10 ~ 13	7 ~ 8 12 ~ 15
VSS	-	Negative Power Supply	9	9
NC	-	No Connection	-	10 ~ 11
DIN	I	Data Input Pin. The encoded waveform received is serially fed to PT2272 at this pin.	14	16
OSC 1	I	Oscillator Pin No.1	A resistor connected between these two pins determine the fundamental frequency of PT2272.	15
OSC 2	O	Oscillator Pin No.2		16
VT	O	Valid Transmission. Active High Signal. VT in high state signifies that PT2272 receives valid transmission waveform.	17	19
VCC	-	Positive Power Supply	18	20

FUNCTION DESCRIPTION

PT2272 decodes the waveform received and fed into the DIN pin. The Waveform is decoded into code word that contains the address, data and sync bits. The decoded address bits are compared with the address set at the address input pins. If both addresses match for 2 consecutive code words, PT2272 drives - (1) the data output pin(s) whose corresponding data bit(s) is then decoded to be a "1" bit, and (2) the VT output -- to high voltage (high state).

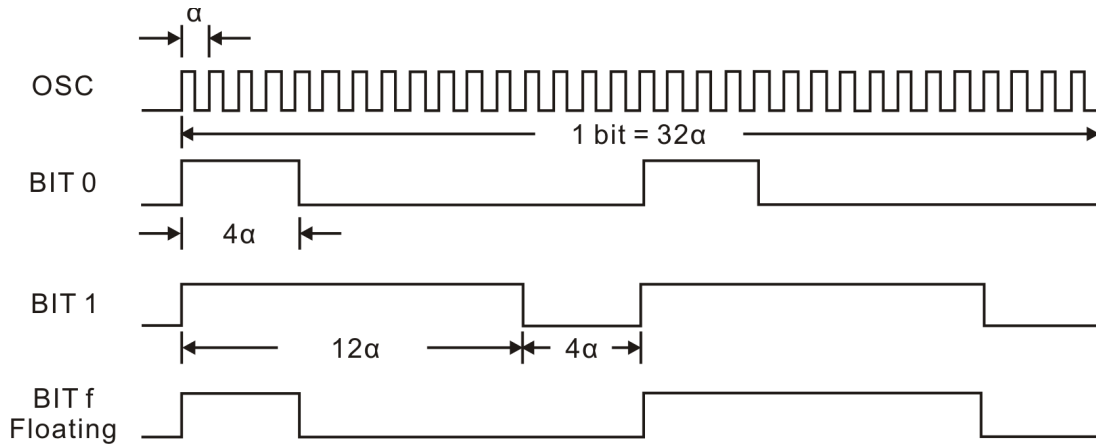
RF OPERATION

CODE BITS

A Code Bit is the basic component of the encoded waveform, and can be classified as either an AD (Address/Data) Bit or a SYNC (Synchronous) Bit.

Address/Data (AD) Bit Waveform

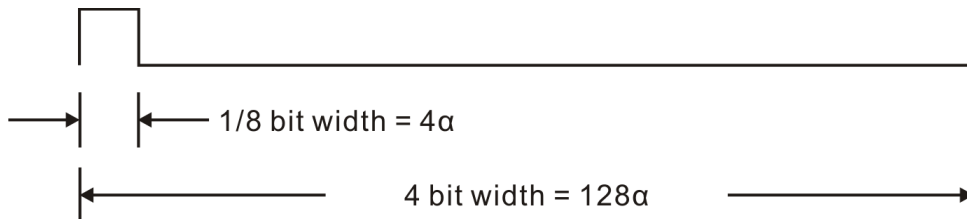
An AD Bit can be designated as Bit "0", "1" or "f", if it is in low, high or floating state respectively. One bit waveform consists of 2 pulse cycles. Each pulse cycle has 16 oscillating time periods. For further details, please refer to the diagram below:



where: α =Oscillating Clock Period. Bit 1 is only available for Address Bit.

Synchronous (Sync.) Bit Waveform

The Synchronous Bit Waveform is 4 bits long with 1/8 bit width pulse. Please refer to the diagram below:



Note: 1 bit= 32α

CODE WORD

A group of Code Bits is called a Code Word. A Code Word consists of 12 AD bits followed by one Sync Bit. The 12 AD bits are interpreted as either address or data bits depending on the PT2272 version used. Please refer to the diagrams below:

PT2272:

A0	A1	A2	A3	A4	A5	A6	A7	A8	A9	A10	A11	SYNC
----	----	----	----	----	----	----	----	----	----	-----	-----	------

PT2272A-M2/L2:

A0	A1	A2	A3	A4	A5	A6	A7	A8	A9	D1	D0	SYNC
----	----	----	----	----	----	----	----	----	----	----	----	------

PT2272-M3/L3:

A0	A1	A2	A3	A4	A5	A6	A7	A8	D2	D1	D0	SYNC
----	----	----	----	----	----	----	----	----	----	----	----	------

PT2272-M4/L4:

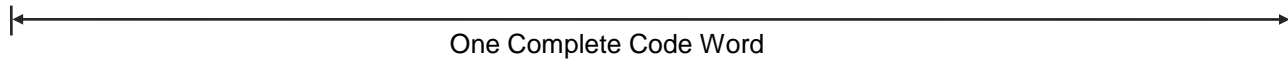
A0	A1	A2	A3	A4	A5	A6	A7	D3	D2	D1	D0	SYNC
----	----	----	----	----	----	----	----	----	----	----	----	------

PT2272-M5/L5:

A0	A1	A2	A3	A4	A5	A6	D4	D3	D2	D1	D0	SYNC
----	----	----	----	----	----	----	----	----	----	----	----	------

PT2272-M6/L6:

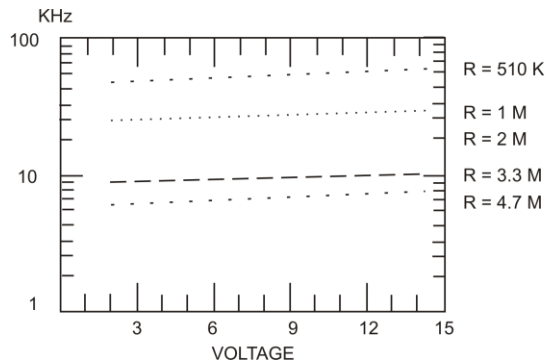
A0	A1	A2	A3	A4	A5	D5	D4	D3	D2	D1	D0	SYNC
----	----	----	----	----	----	----	----	----	----	----	----	------



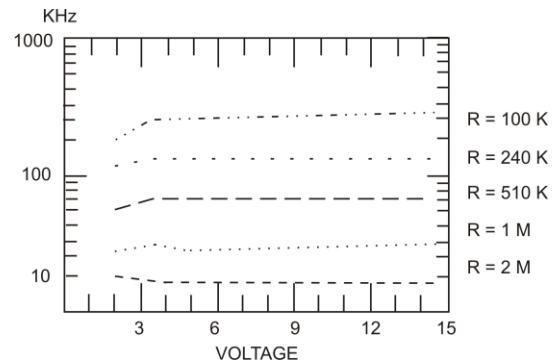
SINGLE RESISTOR OSCILLATOR

The built-in oscillator circuitry of PT2272 allows a precision oscillator to be constructed with only an external resistor. For the PT2272 to decode correctly the waveform that was received, the oscillator frequency of PT2272 must be 2.5~8 times that of the transmitting PT2262. It is a good practice to center the PT2272 oscillator frequency in this window to gain best window margin at both sides. The typical oscillator with various resistor values is shown below for both PT2262 and PT2272.

Encoder OSC Frequency



Decoder OSC Frequency



Suggested oscillator resistor values are shown below.

PT2262	PT2272
4.7MΩ	820KΩ *
3.3MΩ	680KΩ *
1.2MΩ	200KΩ **

Note:

* -- Operates when PT2272's VCC=5V to 15V

** -- Operates when PT2272's VCC= 4V to 15V

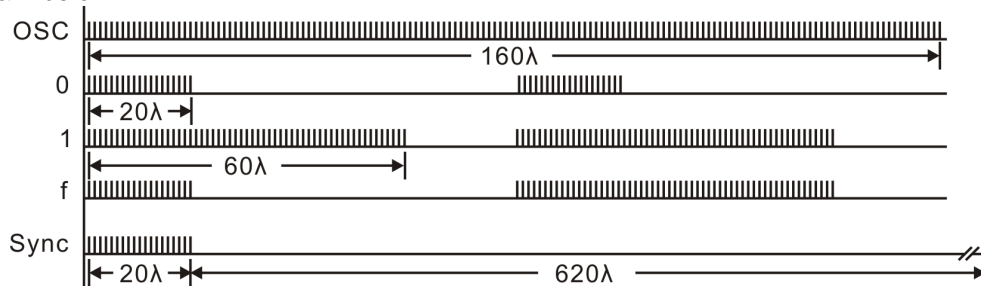
This means that if the PT2272 supply voltage is lower than 5V, you have to use a lower oscillator resistor value for both PT2262 and PT2272.

IR OPERATION

In the IR Type of Operation, the functions are similar to the above descriptions; except that the output waveform carried by PT2262-IR has a frequency of 38KHz. Details are as follows.

CODE BITS

The Code Bits are further modulated with a 38KHz carrier frequency and can be "0", "1" or "f" bit. Their waveforms are shown in the diagram below.



Note: $\lambda=2$ clock lengths.

CODE WORD

A Code Word is made up of code bits and the format is the same as that of the RF Code Frame.

CODE FRAME

Likewise, a Code Frame is made up of Code Words and the format is the same as that of RF Type of Operation.

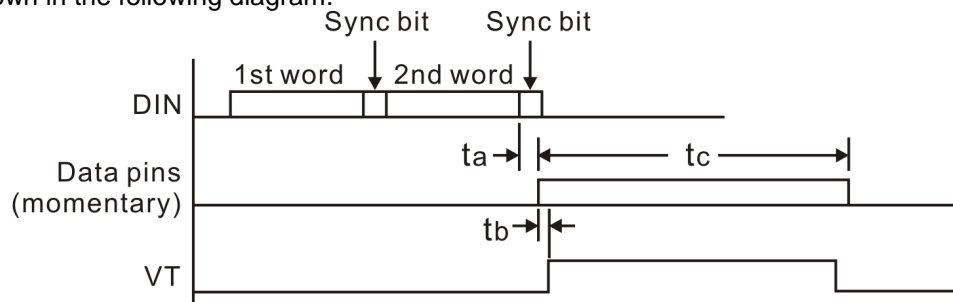
OSCILLATOR

PT2262-IR is specially designed for infrared remote control applications and its output waveform carries 38KHz frequency. To get the 38KHz carrier frequency at the data output, the oscillator frequency must be 76KHz. A 440K Ω resistor connected between OSC1 and OSC2 pins of PT2262-IR is recommended. Moreover, for a matching decoder frequency, 1M Ω resistor connected between the OSC1 and OSC2 pins of PT2272 is also recommended.

VALID TRANSMISSION

When PT2272 receives a transmission code word, it initially checks whether this is a valid transmission. For a transmission to be valid, (1) it must be a Complete Code Word, and (2) the Address Bits must match the Address Setting at the Address Pins. After two consecutive valid transmissions, PT2272 (1) drives the data pins according to the data bits received, and (2) raises VT to high voltage (high state).

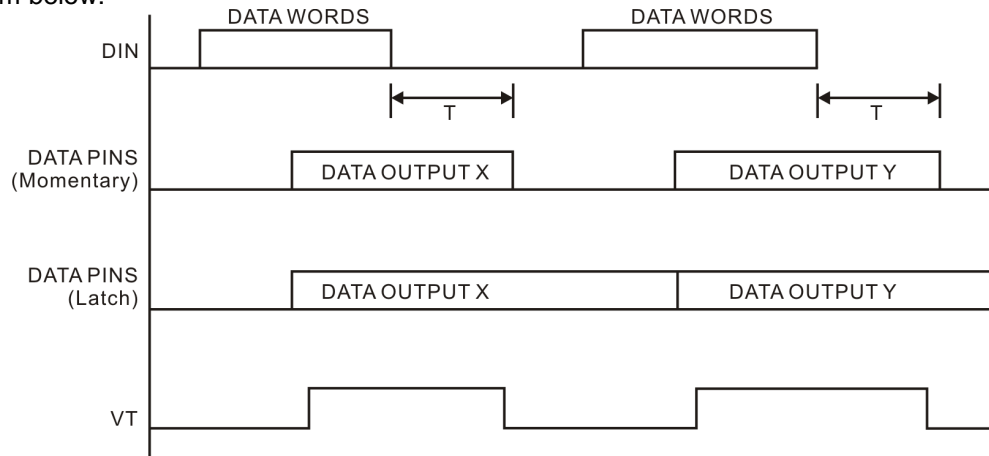
The timings are shown in the following diagram.



Note:
 $t_a=8$ OSC clock width
 $t_b=1$ OSC clock width
 $t_c=2$ code word width

LATCH OR MOMENTARY DATA OUTPUT TYPE

PT2272 uses either the latch or the momentary data output type depending on the PT2272 version used. The latch type (PT2272-Lx) activates the data out during transmission and this data is sustained in the memory until another data is inputted or entered. A momentary type (PT2272-Mx), on the other hand, activates the data out only during transmission. In the momentary type, the data does not remain in the memory after the transmission is completed. Please refer to the diagram below:

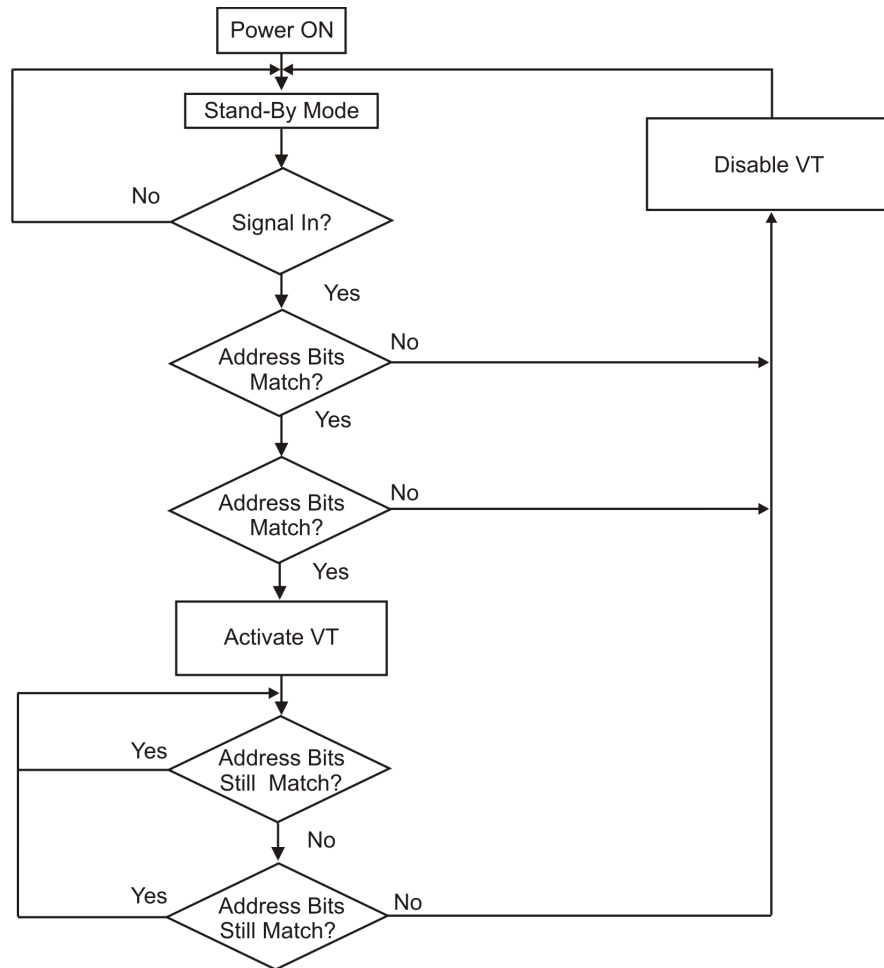


Note: T=2 code word width

OPERATION FLOWCHART

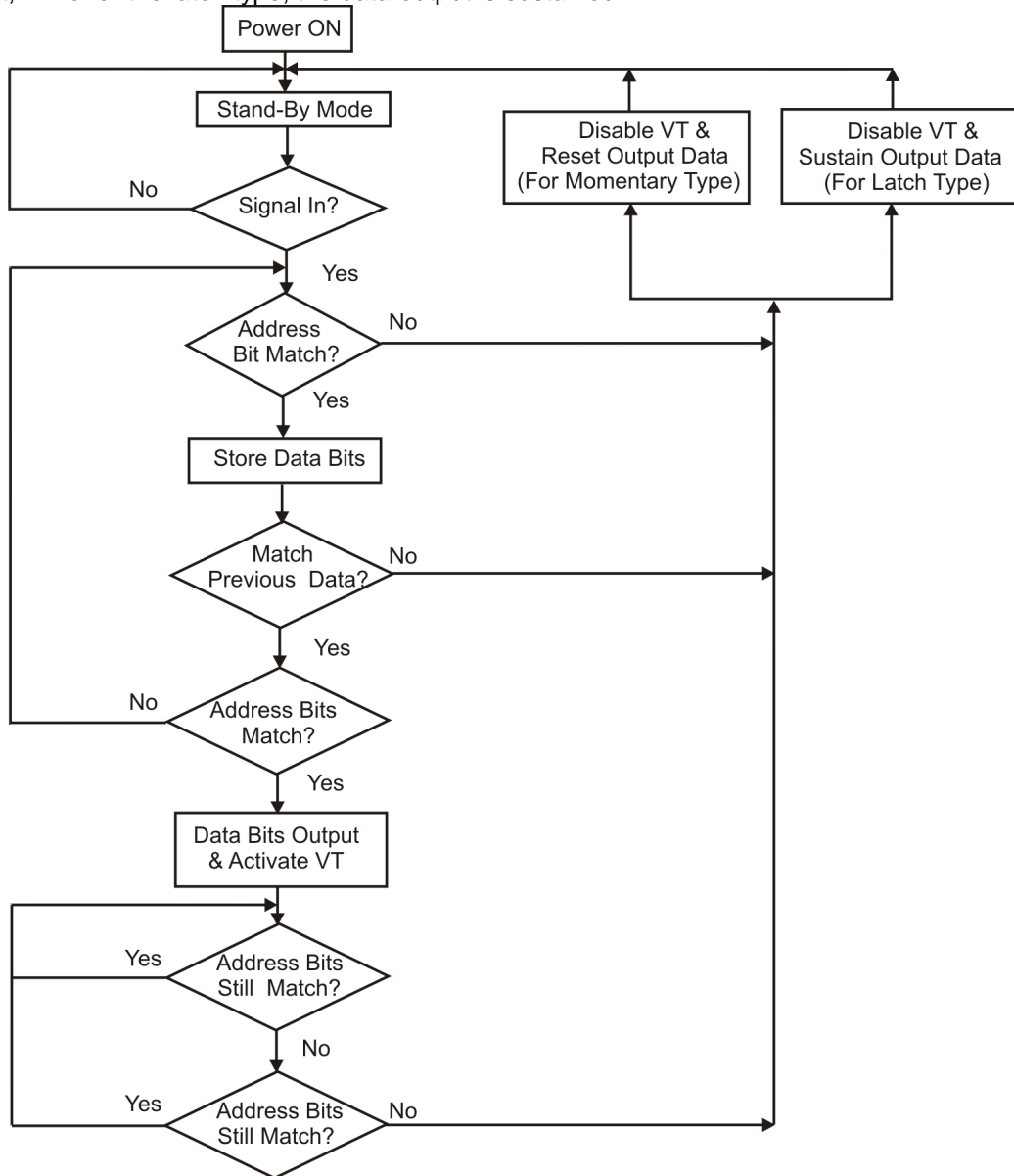
DECODER WITHOUT DATA OUTPUT PIN

1. When Power is turned on, PT2272 activates the Stand-By Mode.
2. It then searches for signals. If there is no signal received, it remains in the Stand-By Mode; otherwise, the address bits received are compared with the address configuration of the pins.
3. The VT goes high signifying the validation of transmission only when there are two (2) continuous frames that contain matched address bits; otherwise, VT will not be activated and the Stand-By Mode remains active.
4. Then, the Address Bits are again checked. Two continuous mismatches of the address bits would disable the VT and make the Stand-By Mode active; otherwise, the address bits are continuously checked.



DECODER WITH DATA OUTPUT PINS

1. When Power is turned ON, PT2272 activates the Stand-By Mode.
2. It then searches for signals. If there is no signal received, it remains in the Stand-By Mode; otherwise, the address bits are compared with the address configuration of the pins.
3. Whenever the Address Bits in a Frame match with that of the Address Configuration of the Pin, the data bits are stored into the memory. Also, when this IC finds two (2) continuous and identical data having the same address bits, the data output(s) is activated and the VT is enabled. The VT is disabled when there are 2 continuous mismatched addresses. For the momentary type, the data output is reset; while for the latch type, the data output is sustained.



ABSOLUTE MAXIMUM RATINGS

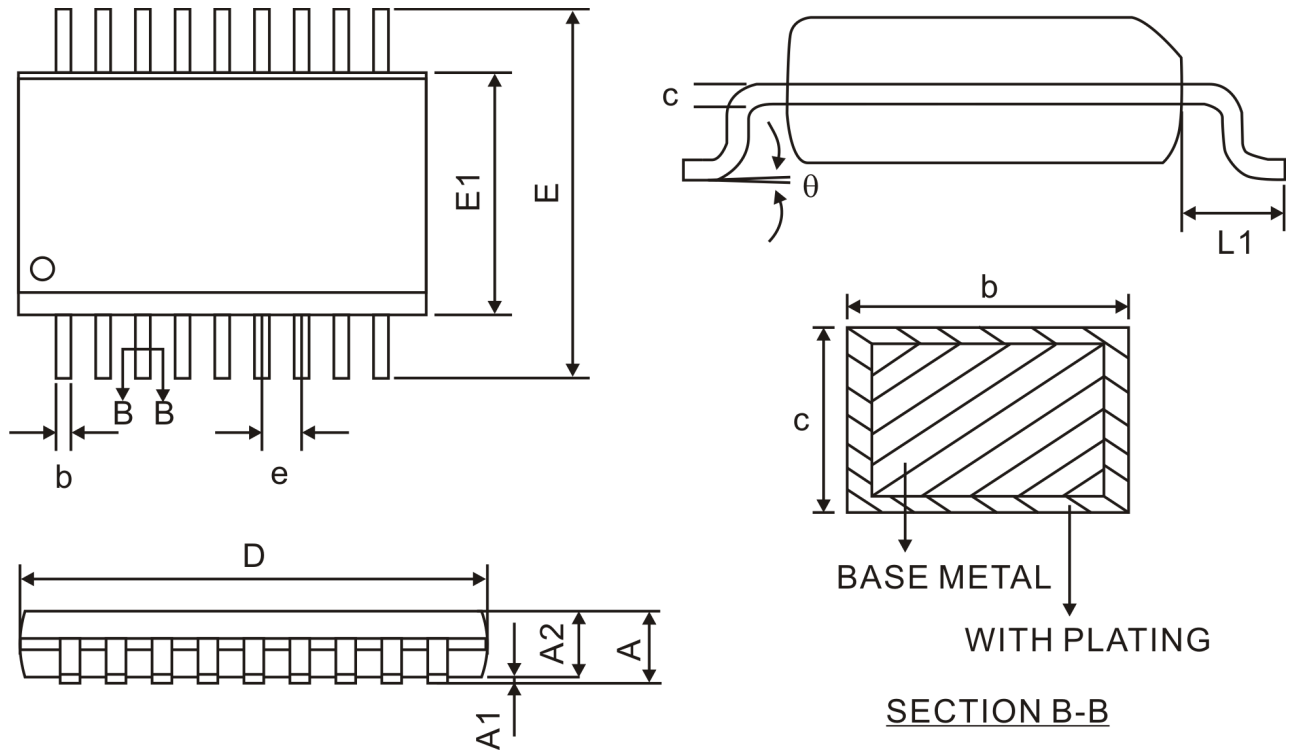
Parameter	Symbol	Rating	Unit
Supply Voltage	VCC	-0.3 ~ 16.0	V
Input Voltage	VI	-0.3 ~ VCC+0.3	V
Output Voltage	VO	-0.3 ~ VCC+0.3	V
Operating Temperature	Topr	-40 ~ +85	°C
Storage Temperature	Tstg	-40 ~ 150	°C

DC ELECTRICAL CHARACTERISTICS

Parameter	Symbol	Conditions	Min.	Typ.	Max.	Unit
Supply Voltage	VCC	-	4	-	15	V
Stand-by Current	ISB	VCC=12V DIN=0V OSC1=0V	-	0.1	1	μA
DOUT Output Driving Current	IOH	VCC=5V VOH=3V	-3	-	-	mA
		VCC=8V VOH=4V	-6	-	-	mA
		VCC=12V VOH=6V	-10	-	-	mA
DOUT Output Sinking Current	IOL	VCC=5V VOH=3V	2	-	-	mA
		VCC=8V VOH=4V	5	-	-	mA
		VCC=12V VOH=6V	9	-	-	mA
"H" Input Voltage	VIH	VCC	0.7VCC	-	VCC	V
"L" Input Voltage	VIL	VCC	0	-	0.3VCC	V

PACKAGE INFORMATION

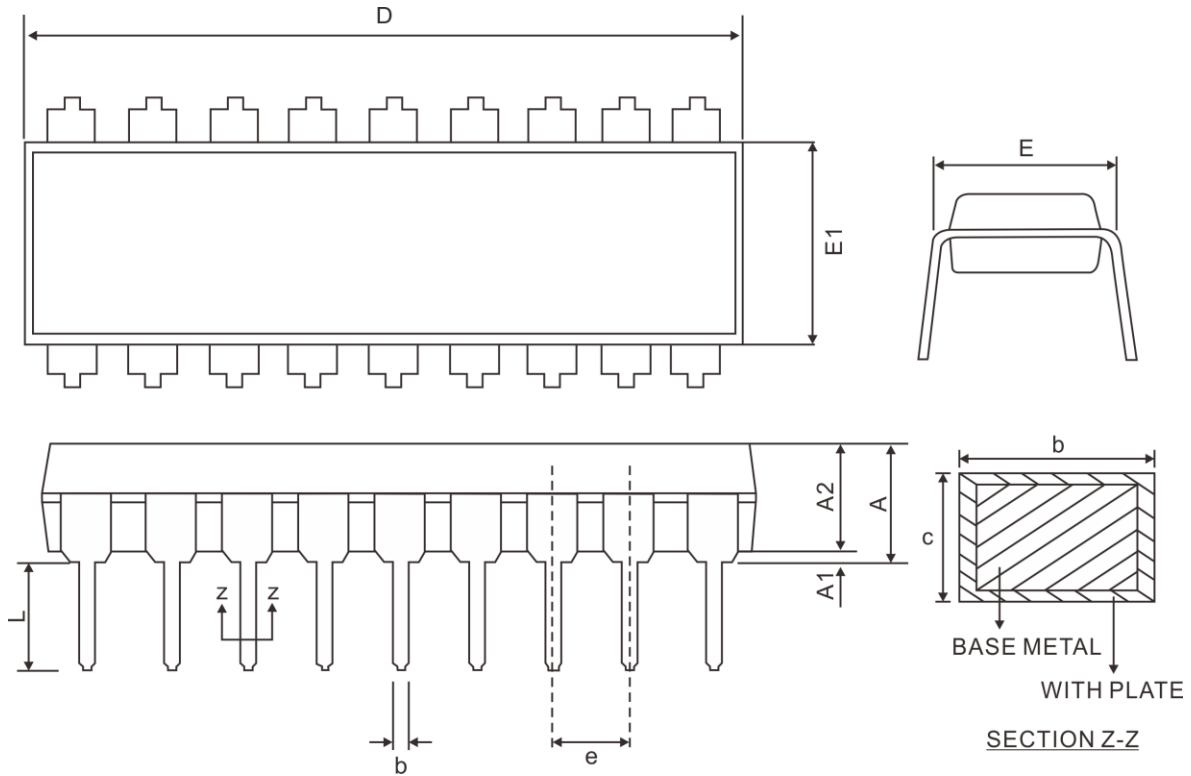
18 PINS, SOP, 300MIL



Symbol	Min.	Nom.	Max.
A	-	-	2.65
A1	0.10	-	0.30
A2	2.05	-	-
b	0.31	-	0.51
c	0.20	-	0.33
e	1.27 BSC.		
D	11.55 BSC.		
E	10.30 BSC.		
E1	7.50 BSC.		
L1	1.40 REF.		
θ	0°	-	8°

Notes:
1. Refer to JEDEC MS-013 AB.
2. Unit: mm.

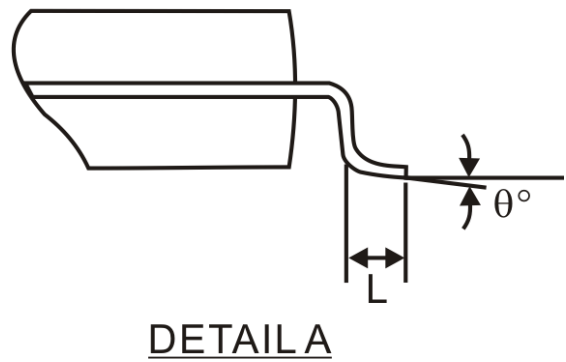
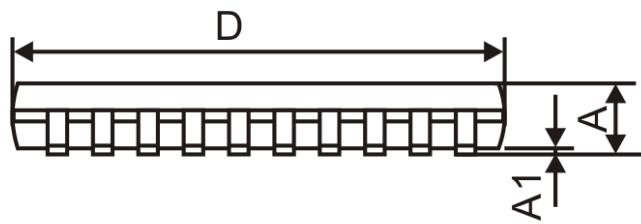
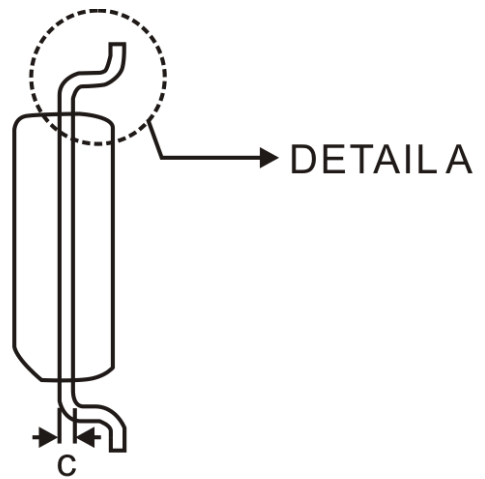
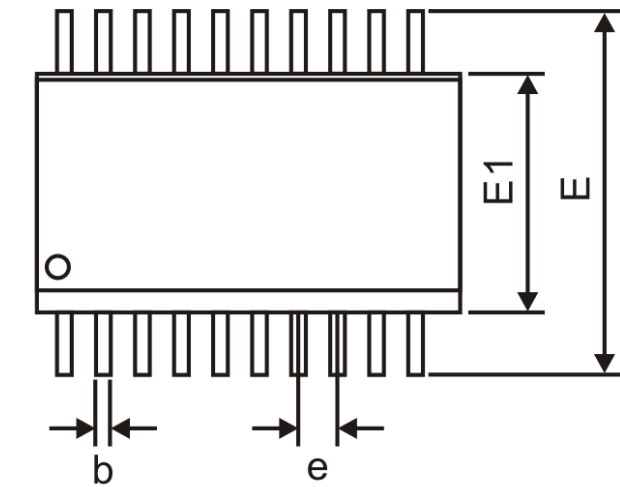
18 PINS, DIP, 300MIL



Symbol	Min.	Nom.	Max.
A	-	-	5.33
A1	0.38	-	-
A2	2.92	3.30	4.95
b	0.36	-	0.56
c	0.20	-	0.36
e	2.54 BSC.		
D	22.35	22.86	23.37
E	7.62	7.87	8.26
E1	6.10	6.35	7.11
L	2.92	3.30	3.81

Notes:
1. Refer to JEDEC MS-001 AC.
2. Unit: mm.

20 PINS, SOP, 300MIL



Symbol	Min.	Typ.	Max.
A	-	-	2.65
A1	0.10	-	0.30
b	0.31	-	0.51
c	0.20	-	0.33
e	1.27 BSC.		
D	12.80 BSC.		
E	10.30 BSC.		
E1	7.50 BSC.		
L	0.40	-	1.27
θ	0°	-	8°

Notes:
1. Refer to JEDEC MS-013 AC.
2. Unit: mm.

IMPORTANT NOTICE

Princeton Technology Corporation (PTC) reserves the right to make corrections, modifications, enhancements, improvements, and other changes to its products and to discontinue any product without notice at any time.

PTC cannot assume responsibility for use of any circuitry other than circuitry entirely embodied in a PTC product. No circuit patent licenses are implied.

Princeton Technology Corp.
2F, 233-1, Baociao Road,
Sindian Dist., New Taipei City 23145, Taiwan
Tel: 886-2-66296288
Fax: 886-2-29174598
<http://www.princeton.com.tw>